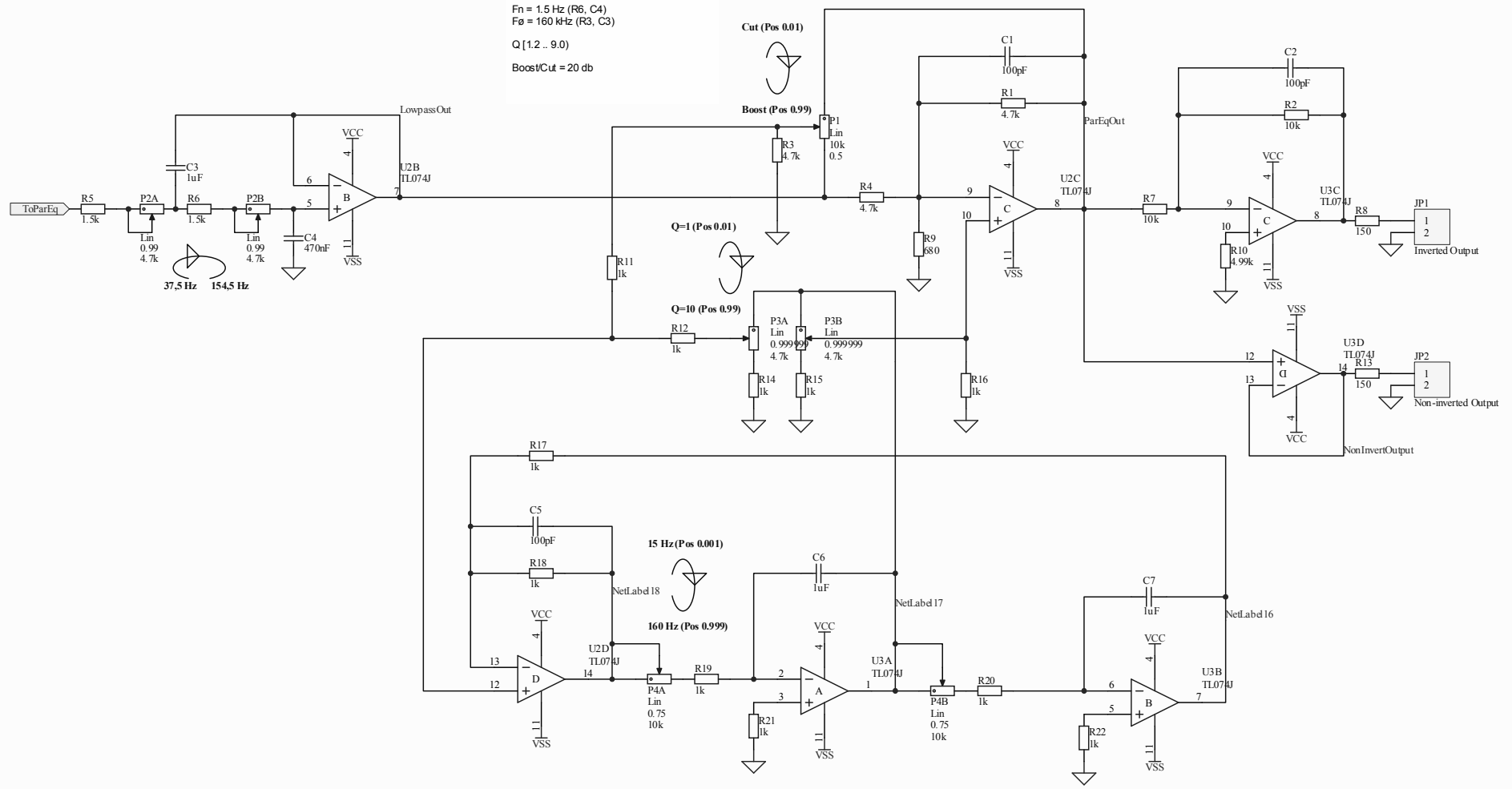


$F_c = 14.6 \text{ Hz} - 160 \text{ Hz}$   
 $(R_{12} = 0 \Rightarrow F_c = 160 \text{ kHz}, R_{12} = 100k \Rightarrow F_c = 14.6 \text{ Hz})$

$F_n = 1.5 \text{ Hz} (R_6, C_4)$   
 $F_0 = 160 \text{ kHz} (R_3, C_3)$

$Q [1.2 \dots 9.0]$

$\text{Boost/Cut} = 20 \text{ db}$



Title		
Size	Number	Revision
B		
Date	23-05-2009	Sheet of
File	C:\Users\...EqAndOutput.SCHDOC	Drawn By: